

SYHL

Open Center Long-Stroke Hydraulic Cylinder



Application / Benefits

For work requiring through hole and long stroke

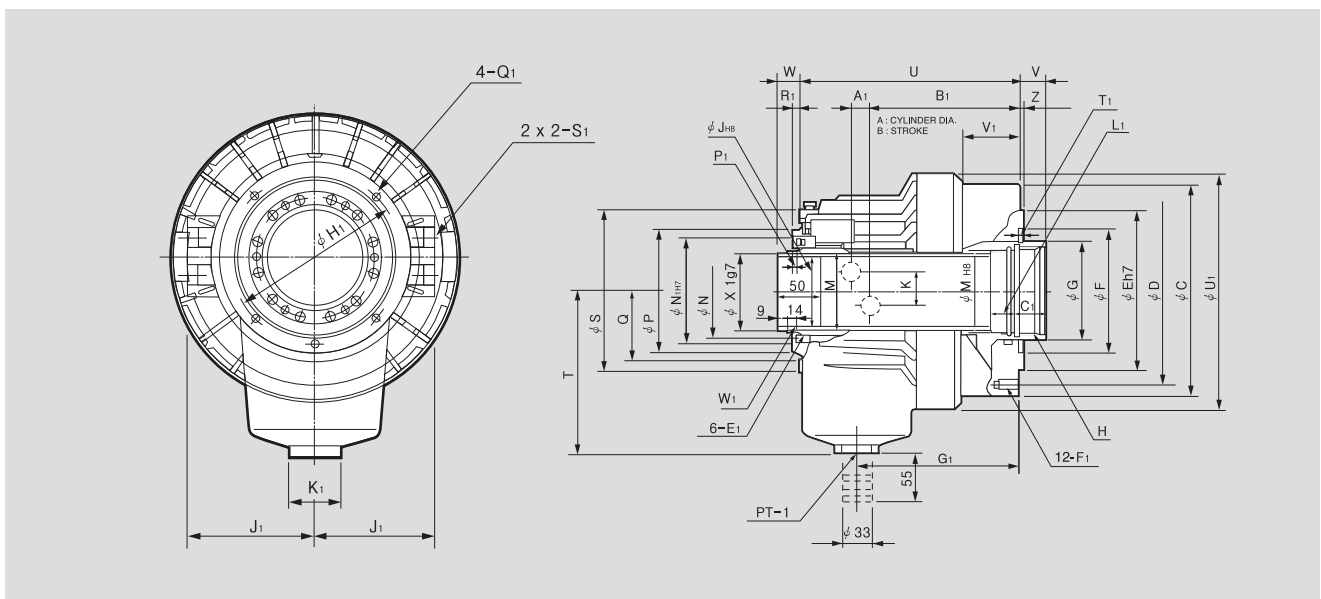
Technical features

Check valve maintains pressure during power outage

SPECIFICATIONS

	SYHL-1246	SYHL-1552	SYHL-1877	SYHL-2091	SYHL-2816
Available I.D. [mm]	46	52	68,75,77	91	166.5
Piston Dia. [mm]	125	155	180	205	280
Piston Stroke [mm]	32	34	40	50	51
Piston Surface Area (Push) [cm ²]	100	161	198	252	377
Piston Surface Area (Pull) [cm ²]	89	150	183	234	332
Piston Force (Push) [kN(kgf)]	38(3875)	60(6118)	74(7546)	94(9585)	113(11522)
Piston Force (Pull) [kN(kgf)]	33(3365)	56(5710)	69(7063)	88(8973)	100(10196)
Max. Operating Pressure [MPa(kgf/cm ²)]	4.0(40.8)	4.0(40.8)	4.0(40.8)	4.0(40.8)	3.3(33.6)
Max. r.p.m. [min ⁻¹]	7000	6200	4700	3800	2000
Moment of inertia [N · m ² (kg · m ²)]	0.21(0.022)	0.56(0.058)	0.10(0.098)	1.56(0.160)	35.5(3.31)
Weight [kg]	12.8	17	26.8	34.1	101
Total leakage [l /min]	3	3.9	4.2	4.5	8.4
KITAGAWA® Model	S-1246L	S-1552L	S-1875L	S-2091L	S-2816L

- ※ Specifications are subject to change without notice.
- ※ Certain models have several thru-hole sizes available.
- ※ The bore threading varies by model. H max represents the largest possible threading.



※ See the product dimension Table on the right.

DIMENSIONS

	SYHL-1246	SYHL-1552	SYHL-1877	SYHL-2091	SYHL-2816
ΦC	155	190	215	240	325
ΦD	130	170	190	215	290
ΦE	100	130	160	180	260
ΦF	80	85	120	140	240
ΦG	65	70	95	110	190
H max.	M55x2.0	M60x2.0	M85x2.0	M100x2.0	M180x3.0
ΦJ	46	52	77	91	166.5
K	36	36	36	34	30
ΦM	52.9	59.6	84.6	99.6	174.6
ΦN	64	73	98	108	188
ΦP	85	96	121	138	222
Q	51.5	57	70	79	120
ΦS	118	137	166	182	282
T	115	130	160	185	250
U	205	208	246	273	370
V	27	29	35	50	51
V	-5	-5	-5	0	0
W	57	59	65	75	76
W	25	25	25	25	25
Z	5	5	5	5	5
A1	11.5	12	17.5	21	28
B1	147.5	153	169.5	188	259
C1	30	30	35	35	45
E1	M6x9	M6x9	M6x9	M6x14	M6x12
F1	M10x20	M10x20	M10x20	M12x24	M16x32
G1	156	162	182.5	203	276
H1	98	110	155	165	256
J1	76	86	101	110	162
K1	47	47	47	47	47
L1	15	15	15	15	20
M1	50	55	80	95	170
ΦN1	76	85	108	120	200
P1	4	4	4	4	4
Q1	M5x10	M6x12	M6x12	M6x12	M6x12
R1	6	7	7	7	7
S1	PT1/2	PT1/2	PT1/2	PT1/2	PT1/2
T1	12	12	12	12	7
ΦU1	200	220	242	267	352
V1	67	68	74	86	123
W1	M52x1.5	M58x1.5	M84x2.0	M99x2.0	M173x2.0
ΦX1	50	56	81	96	170.5