

AY-R Closed-Center Pneumatic Cylinder



Application / Benefits

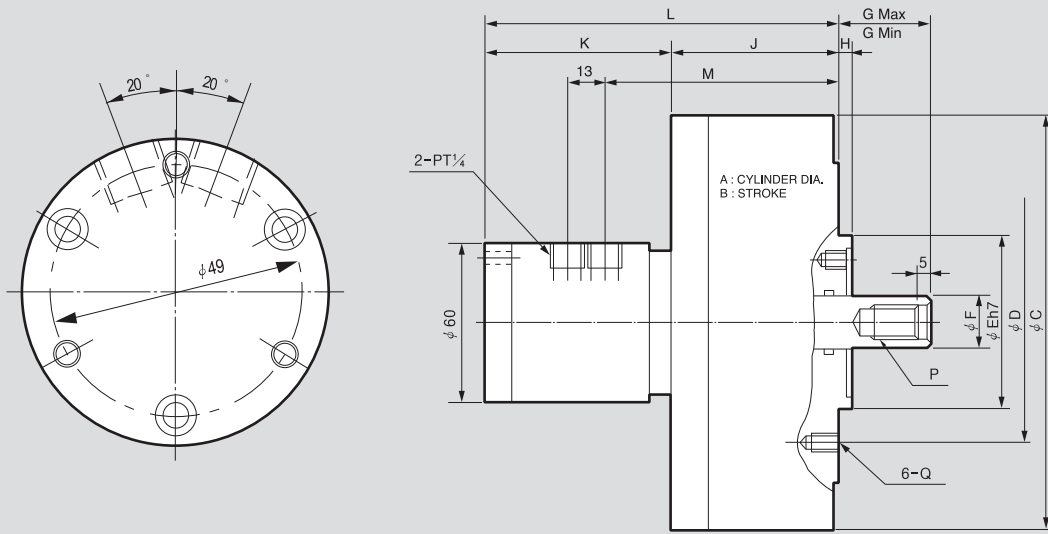
Closed-Center Pneumatic Cylinder
Suitable for cutting thin material

SPECIFICATIONS

	AY-1005R	AY-1315R	AY-1720R	AY-2225R	AY-2730R
Piston Stroke [mm]	5	15	20	25	30
Piston Surface Area (Push) [cm ²]	78.5	131	225	378	570.4
Piston Surface Area (Pull) [cm ²]	73.6	128	220.1	371.1	560.8
Piston Force (Push) [kN(kgf)]	5.4(552)	7.7(786)	13.23(1350)	22.2(2268)	33.5(3422)
Piston Force (Pull) [kN(kgf)]	5.1(518)	7.5(770)	12.9(1320)	21.8(2226)	33.0(3364)
Max. Operating Pressure [MPa(kgf/cm ²)]	8(0.82)	8(0.82)	8(0.82)	8(0.82)	8(0.82)
Max. r.p.m. [min ⁻¹]	5000	5000	5000	4000	3000
Weight [kg]	4.1	5.2	8.3	13.3	18.7
Moment of inertia [N · m ² (kg · m ²)]	0.686(0.07)	0.686(0.07)	1.078(0.11)	2.450(0.25)	7.350(0.75)

※ Maximum turning speed is based upon actual measurement.

※ Specifications are subject to change without notice.



DIMENSIONS

	AY-1005R	AY-1315R	AY-1720R	AY-2225R	AY-2730R
A	100	130	170	220	270
B	5	15	20	25	30
ϕC	128	156	200	255	305
ϕD	90	90	100	130	130
$\phi E(h7)$	65	65	80	110	110
ϕF	20	20	25	30	35
G max.	30	35	65	71	76
G min.	25	20	45	46	46
H	5	5	5	5	5
J	53	63	82	93	103
K	70	70	70	70	74.5
L	123	133	152	163	177.5
M	79	89	108	119	133.5
N	M5	M6	M7	M8	M9
Q	M6x11	M6x11	M10x16	M12x20	M12x20
P	M12x22	M12x22	M16x30	M20x35	M24x40