



ER COLLET CHUCKS

MAS 403 BT

CODE	L	D	Collet Type Ø Clamping Range
BT30 ER16	60	28	ER16 Ø1-10mm
BT30 ER25	60	42	ER25 Ø2-16mm
BT30 ER32	60	50	ER32 Ø3-20mm

CODE	L	D	Collet Type Ø Clamping Range
BT40 ER16	60	28	ER16 Ø1 10mm
BT40 ER16 100	100	28	ER16 Ø1-10mm
BT40 ER16 130M	130	22	ER16 Ø1-10mm
BT40 ER20	70	34	ER20 Ø2-13mm
BT40 ER20 100	100	34	ER20 Ø2-13mm
BT40 ER25	70	42	ER25 Ø2-16mm
BT40 ER25 100	100	42	ER25 Ø2-16mm
BT40 ER32	70	50	ER32 Ø3-20mm
BT40 ER32 100	100	50	ER32 Ø3-20mm
BT40 ER40	70	63	ER40 Ø4-26mm
BT40 ER40 100	100	63	ER40 Ø4-26mm

CODE	L	D	Collet Type Ø Clamping Range
BT50 ER25	70	42	ER25 Ø2-16mm
BT50 ER32	70	50	ER32 Ø3-20mm
BT50 ER40	80	63	ER40 Ø4-26mm
BT50 ER40 150	150	63	ER40 Ø4-26mm
BT50 ER50	100	78	ER50 Ø12-34mm

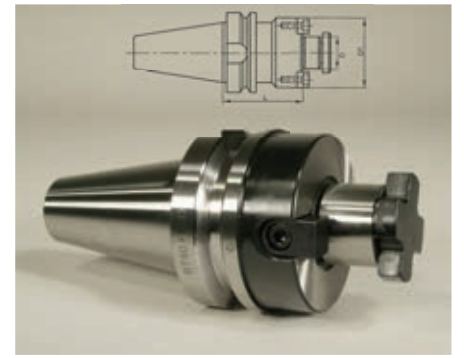
FACE MILL ADAPTORS

MAS 403 BT

CODE	D	D1	L
BT30 FM16	16	40	40
BT30 FM22	22	48	40

CODE	D	D1	L
BT40 FM16	16	40	40
BT40 FM22	22	48	45
BT40 FM27	27	60	45
BT40 FM32	32	78	50
BT40 FM40	40	89	55

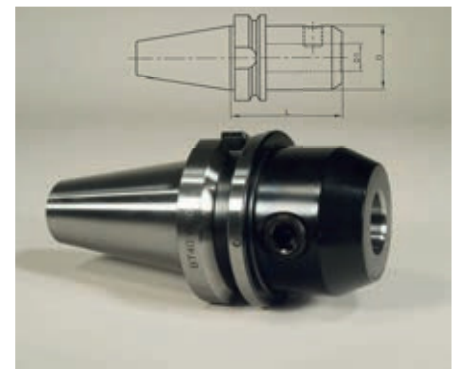
CODE	D	D1	L
BT50 FM16	16	40	55
BT50 FM22	22	48	55
BT50 FM27	27	60	55
BT50 FM32	32	78	55
BT50 FM40	40	89	55

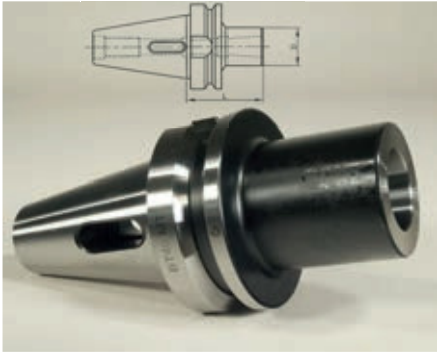


WELDON ADAPTORS

CODE	D1	D	L
BT40 W06	6	25	50
BT40 W08	8	28	50
BT40 W10	10	35	63
BT40 W12	12	42	63
BT40 W14	14	44	50
BT40 W16	16	48	63
BT40 W20	20	52	63
BT40 W25	25	65	90
BT40 W32	32	72	100
BT40 W40	40	80	120

CODE	D1	D	L
BT50 W10	10	35	63
BT50 W12	12	42	80
BT50 W16	16	48	80
BT50 W20	20	52	80
BT50 W25	25	65	100
BT50 W32	32	72	105
BT50 W40	40	80	120





MORSE TAPER ADAPTORS

MAS 403 BT

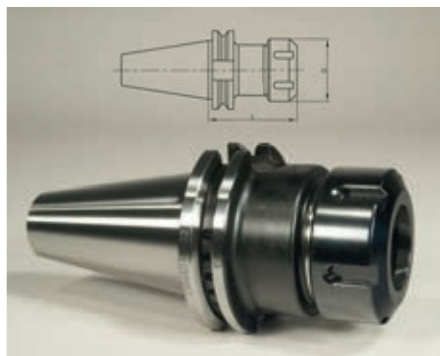
CODE	MT	D	L
BT40 MT1	1	25	50
BT40 MT2	2	32	50
BT40 MT3	3	40	70
BT40 MT4	4	48	95

CODE	MT	D	L
BT50 MT2	2	32	60
BT50 MT3	3	40	65
BT50 MT4	4	48	95
BT50 MT5	5	63	105



DRILL CHUCK ADAPTORS

CODE	D	L
BT40 B12	B12	25
BT40 B16	B16	25
BT40 B18	B18	25



ER COLLET CHUCKS

DIN 69871

CODE	L	D	Collet Type Ø Clamping Range
DIN30 ER16	60	28	ER16 Ø1-10mm
DIN30 ER25	60	42	ER25 Ø2-16mm
DIN30 ER32	60	50	ER32 Ø3-20mm

CODE	L	D	Collet Type Ø Clamping Range
DIN40 ER16	60	28	ER16 Ø1 10mm
DIN40 ER16 100	100	28	ER16 Ø1-10mm
DIN40 ER16 130M	130	22	ER16 Ø1-10mm
DIN40 ER20	70	34	ER20 Ø2-13mm
DIN40 ER20 100	100	34	ER20 Ø2-13mm
DIN40 ER25	70	42	ER25 Ø2-16mm
DIN40 ER25 100	100	42	ER25 Ø2-16mm
DIN40 ER32	70	50	ER32 Ø3-20mm
DIN40 ER32 100	100	50	ER32 Ø3-20mm
DIN40 ER40	70	63	ER40 Ø4-26mm
DIN40 ER40 100	100	63	ER40 Ø4-26mm

CODE	L	D	Collet Type Ø Clamping Range
DIN50 ER32	70	50	ER32 Ø3-20mm
DIN50 ER40	80	63	ER40 Ø4-26mm
DIN50 ER40 150	150	63	ER40 Ø4-26mm
DIN50 ER50	100	78	ER50 Ø12-34mm

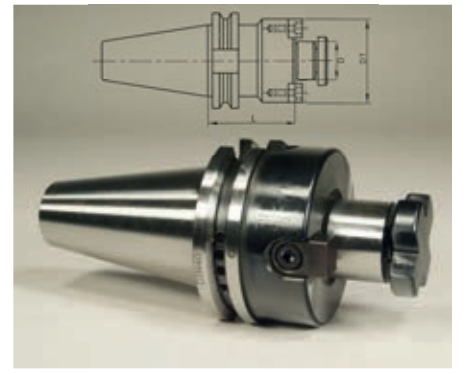
FACE MILL ADAPTORS

DIN 69871

CODE	D	D1	L
DIN30 FM16	16	40	35
DIN30 FM22	22	50	40

CODE	D	D1	L
DIN40 FM16	16	40	35
DIN40 FM22	22	50	35
DIN40 FM27	27	60	40
DIN40 FM32	32	78	50
DIN40 FM40	40	89	50

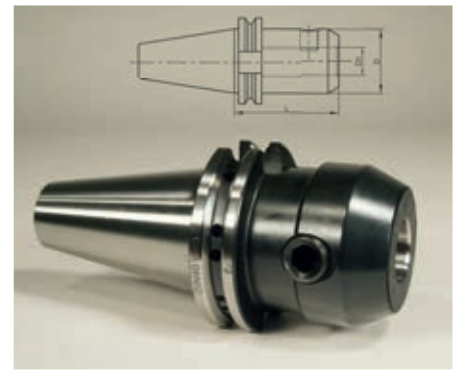
CODE	D	D1	L
DIN50 FM16	16	40	35
DIN50 FM22	22	50	35
DIN50 FM27	27	60	40
DIN50 FM32	32	78	50
DIN50 FM40	40	89	50



WELDON ADAPTORS

CODE	D1	D	L
DIN40 W06	6	25	50
DIN40 W08	8	28	50
DIN40 W10	10	35	50
DIN40 W12	12	42	50
DIN40 W14	14	44	50
DIN40 W16	16	48	63
DIN40 W20	20	52	63
DIN40 W25	25	65	100
DIN40 W32	32	72	100
DIN40 W40	40	80	120

CODE	D1	D	L
DIN50 W10	10	35	63
DIN50 W12	12	42	63
DIN50 W16	16	48	63
DIN50 W20	20	52	63
DIN50 W25	25	65	80
DIN50 W32	32	72	100
DIN50 W40	40	80	120

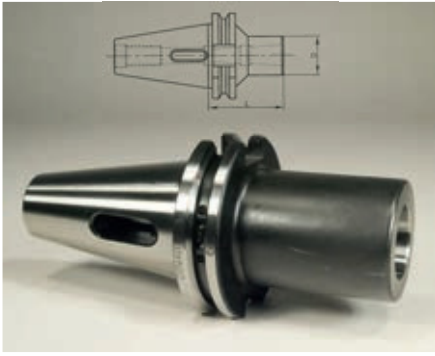


MORSE TAPER ADAPTORS

DIN 69871

CODE	MT	D	L
DIN40 MT1	1	25	50
DIN40 MT2	2	32	50
DIN40 MT3	3	40	70
DIN40 MT4	4	48	95

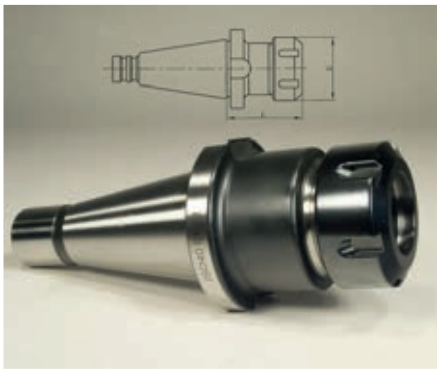
CODE	MT	D	L
DIN50 MT2	2	32	60
DIN50 MT3	3	40	65
DIN50 MT4	4	48	95
DIN50 MT5	5	63	105



DRILL CHUCK ADAPTORS

CODE	D	L
DIN40 B12	B12	25
DIN40 B16	B16	25
DIN40 B18	B18	25





ER COLLET CHUCKS

DIN 2080 ISO

CODE	L	D	Collet Type Ø Clamping Range
ISO30 ER16	50	28	ER16 Ø1-10mm
ISO30 ER25	50	42	ER25 Ø2-16mm
ISO30 ER32	50	50	ER32 Ø3-20mm

CODE	L	D	Collet Type Ø Clamping Range
ISO40 ER25	50	42	ER25 Ø2-16mm
ISO40 ER32	60	50	ER32 Ø3-20mm
ISO40 ER40	60	63	ER40 Ø4-26mm

CODE	L	D	Collet Type Ø Clamping Range
ISO50 ER32	70	50	ER32 Ø3-20mm
ISO50 ER40	70	63	ER40 Ø4-26mm
ISO50 ER50	90	78	ER50 Ø12-34mm



ISO40 DIN6388-25 COLLET CHUCK

CODE	L	D	Collet Type Ø Clamping Range
ISO40 OZ25	70	60	OZ25 Ø2-25mm

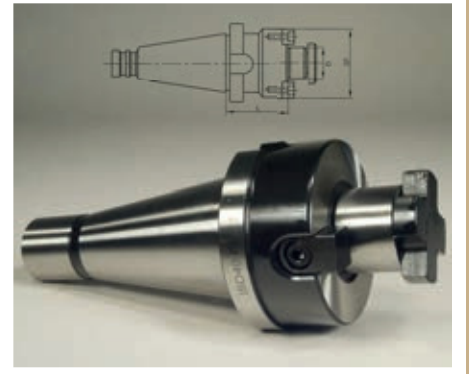
FACE MILL ADAPTORS

DIN 2080 ISO

CODE	D	D1	L
ISO30 FM16	16	40	30
ISO30 FM22	22	50	30

CODE	D	D1	L
ISO40 FM16	16	40	30
ISO40 FM22	22	50	30
ISO40 FM27	27	60	30
ISO40 FM32	32	78	30
ISO40 FM40	40	89	30

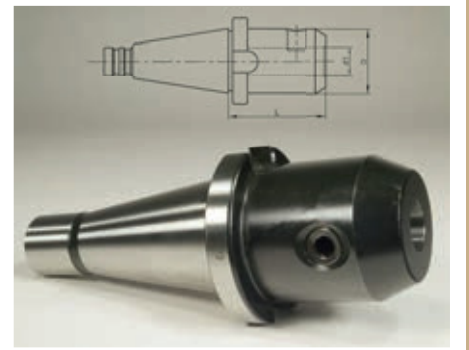
CODE	D	D1	L
ISO50 FM16	16	40	30
ISO50 FM22	22	50	35
ISO50 FM27	27	60	35
ISO50 FM32	32	78	35
ISO50 FM40	40	89	40

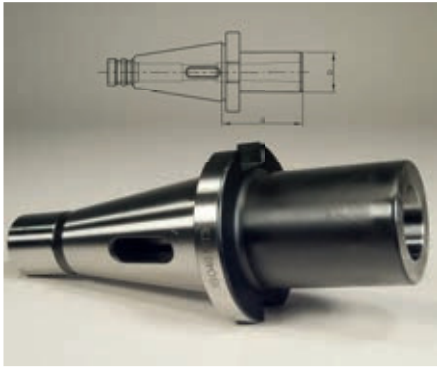


WELDON ADAPTORS

CODE	D1	D	L
ISO40 W12	12	42	50
ISO40 W16	16	48	63
ISO40 W20	20	52	63
ISO40 W25	25	65	80
ISO40 W32	32	72	80
ISO40 W40	40	80	90

CODE	D1	D	L
ISO50 W16	16	48	63
ISO50 W20	20	52	63
ISO50 W25	25	65	80
ISO50 W32	32	72	80
ISO50 W40	40	90	90



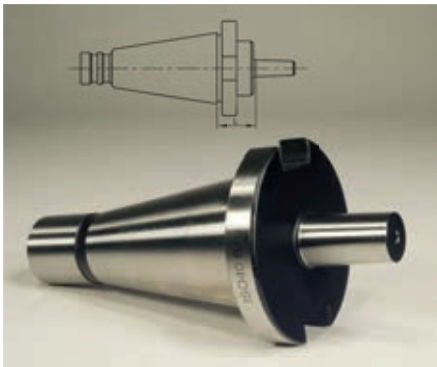


MORSE TAPER ADAPTORS

DIN 2080 ISO

CODE	MT	D	L
ISO40 MT1	1	25	50
ISO40 MT2	2	32	50
ISO40 MT3	3	40	65
ISO40 MT4	4	48	95

CODE	MT	D	L
ISO50 MT2	2	32	60
ISO50 MT3	3	40	65
ISO50 MT4	4	48	70
ISO50 MT5	5	63	105



DRILL CHUCK ADAPTORS

CODE	D	L
ISO40 B16	B16	18
ISO40 B18	B18	18



HSK A 63 COLLET HOLDERS

DIN69893

CODE	L	D	Collet Type Ø Clamping Range
HSK63 ER16	100	28	ER16 Ø1-10mm
HSK63 ER25	100	42	ER25 Ø2-16mm
HSK63 ER32	100	50	ER32 Ø3-20mm
HSK63 ER40	100	63	ER40 Ø4-26mm



DIN228 MORSE TAPER SHANK ER COLLET CHUCKS

DIN228

CODE	L	D	Collet Type Ø Clamping Range
MT2 ER25	50	42	ER25 Ø2-16mm
MT3 ER32	60	50	ER32 Ø3-20mm
MT4 ER40	80	63	ER40 Ø4-26mm